

Technical Bulletin

LOWRANCE

SIMRAD

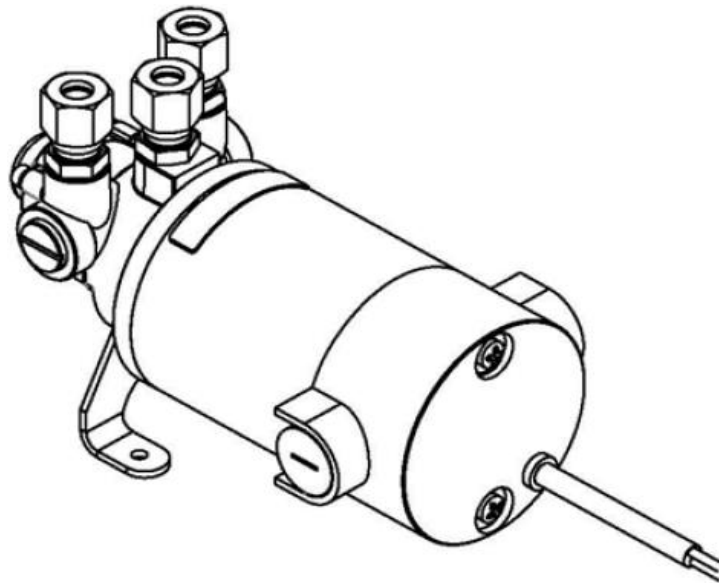
B&G

TB-138886 / August 12, 2020

New Autopilot Pumps

Product:	000-15444-001; 000-15445-001; 000-15446-001; 000-15447-001
Product Description:	Pump-2 12v, Pump-3 12v, Pump-4 12v, Pump-5 24v
Effective Date:	August 7, 2020
Inspect/Update Current Inventory:	No

We are pleased to announce new model autopilot hydraulic pumps for Simrad and B&G autopilots. This new family of quiet, high-efficiency gear pumps are available in four models covering nominal flow rates of 0.8, 1.6 and 3.0 litres per minute (lpm). The 0.8 and 1.6 lpm models are offered with 12v motors, while the 3.0 lpm model is available in both 12 and 24 VDC.



This new family of pumps are designed to be direct replacements for our existing models and will be introduced as current stocks of the existing pumps are consumed.

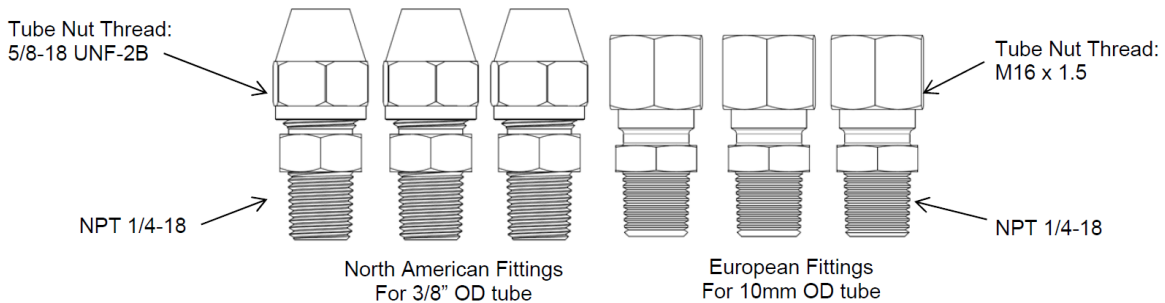
Old Part No	Description	New Part No	Description
000-13765-001	RPU80	000-15444-001	Pump-2 12V 0.8L
000-13766-001	RPU160	000-15445-001	Pump-3 12V 1.6L
000-13767-001	RPU300 12V	000-15446-001	Pump-4 12V 3.0L
000-13768-001	RPU300 24V	000-15447-001	Pump-5 24V 3.0L

Note that the pump body ports thread has changed from 7/16" 20 UNF in the old pump to a 1/4" 18 NPT thread in the new pump. New adaptor kits are supplied with the pump to fit the new threads.

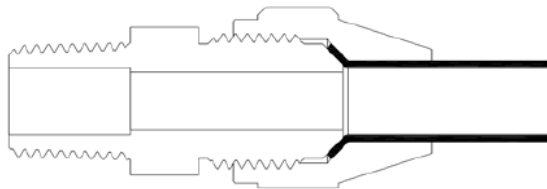
Pump adaptor kits

Each new pump will be supplied with the following adapter kits:

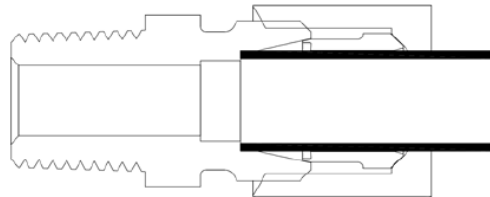
- 3 x Adaptor Straight: 1/4" Male NPT x 3/8" SAE Male 45 degree Flare (North American Market)
- 3 x Adaptor Straight: 1/4" Male NPT x 10mm Compression Tube fitting (European Market)



These fittings support the same tubing as the existing pumps. 3/8" OD tube for North American and 10 mm OD tube for European fittings.



North American Fitting (45° Flare Style)
For 3/8" OD tube



European Fittings (Compression Style)
For 10mm OD tube

Fittings for Mercury® Verado

Due to the change to the pump body port threads, there is a change to the Mercury Verado fitting kit. Please use the following Mercury Verado fitting kit for this new family of pumps when integrating with Mercury Verado outboard motors.

Replacement Part No	Description
000-11772-001	Verado Fitting Kit for PUMP-1

Please note that the Verado Fittings kit for the RPU family of pumps, P/N 21116272 is not directly compatible with the new pumps. Should you wish to use 21116272 Verardo fittings kits, 1/4" NPT male to 7/16" UNF Female adaptors will be required.

There is no change to the Verado Hose Kit.

For More Information:

U.S. Based Resellers Technical and Order Support: (800) 324-4737

Canada Based Resellers Technical Support: (855) 361-1564

You may also send any inquiries via email to the addresses listed below, according to

your sales-group classification:

- OEM/Boatbuilder – oem-bb@navico.com
- International/Latin America – international@navico.com
- National Retail – retail@navico.com
- Dealers/Distributors – orders@navico.com