

Technical Bulletin

LOWRANCE

SIMRAD

B&G

GOFREE

TB-87497 / January 18, 2017

Outboard & Drive Pilot, Auto/Stby Button Replacement

Product:	000-11748-001, Outboard Pilot Hydraulic Pack 000-11750-001, Drive Pilot Hydraulic Pack 000-11749-001, Outboard Pilot Cable Steer Pack
Product Description:	Outboard Pilot & Drive Pilot Packs
Software Version:	All
Effective Date:	Immediately
Inspect/Update Current Inventory:	Yes

Dear Navico Partner,

An issue has been discovered where corrosion has rendered the Auto-Stby button inoperable in some installations of the Outboard Pilot and Drive Pilot.

We recommend the button be replaced with a new one at your earliest convenience.

Please contact Navico® Service to arrange a warranty replacement.

The existing button is red, as shown below.

STBY/AUTO
Button



OLD Part Number: **000-12332-001 AUTO-STBY BUTTON FOR NAC-1**

LOWRANCE

SIMRAD

B&G

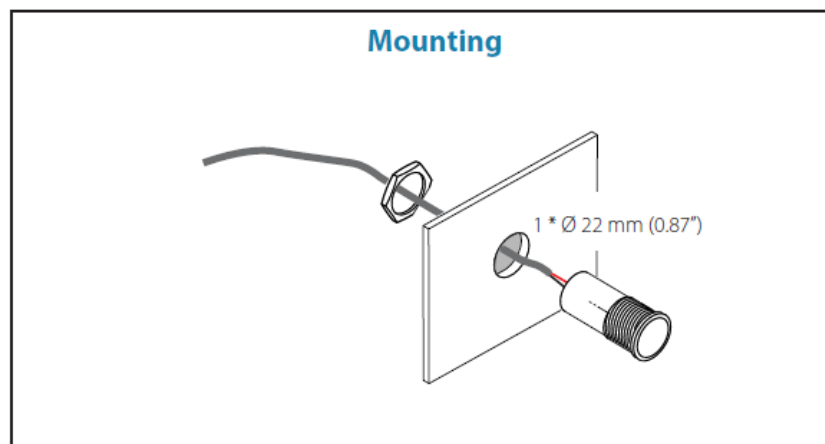
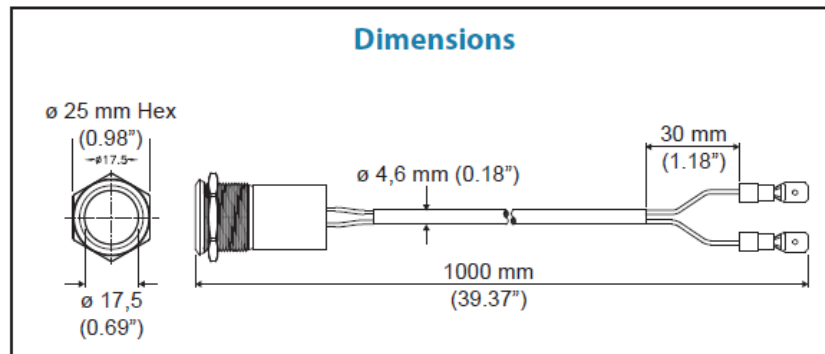
GOFREE

The new button is stainless steel as shown below.

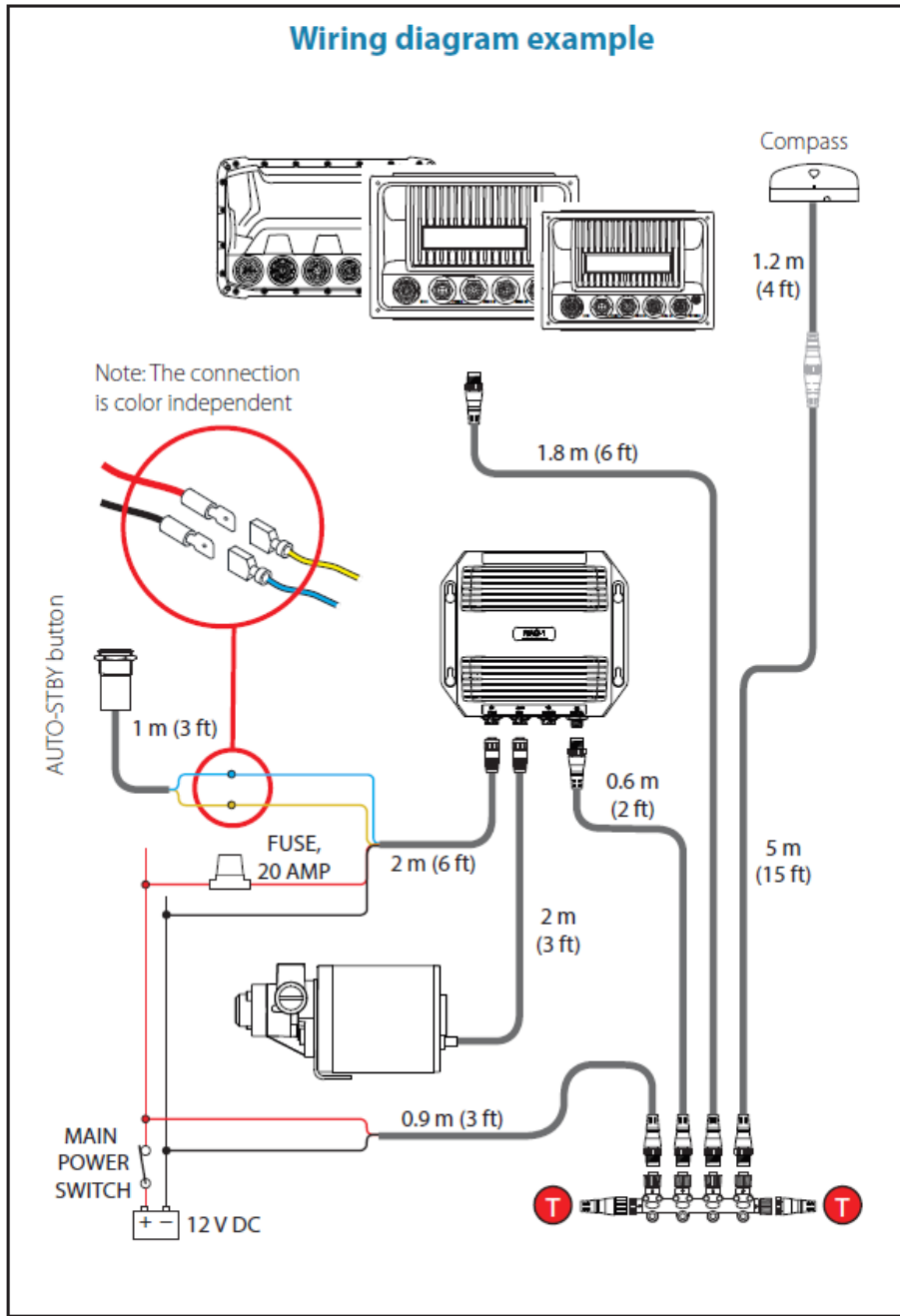


NEW Part Number: **000-13703-001 AUTO-STBY BUTTON METAL**

The following diagrams provide installation details and instructions that are included with all new buttons.



Wiring diagram example



For More Information:

U.S. Based Resellers Technical and Order Support: (800) 324-4737

Canada Based Resellers Technical Support: (855) 361-1564

You may also send any inquiries via email to the addresses listed below, according to your sales-group classification:

- OEM/Boatbuilder – oem-bb@navico.com
- International/Latin America – international@navico.com
- National Retail – retail@navico.com
- Dealers/Distributors – orders@navico.com